

IJEETC 2021

by Zulfiana Majid

Submission date: 26-Sep-2022 03:17AM (UTC-0400)

Submission ID: 1909237702

File name: Zulfiana_IJEETC_2021.pdf (1.98M)

Word count: 5610

Character count: 27646

Minimization of Transmission Loss in Application of HVDC Networks under Load Increase Scenario

26 Zulfiana S. Majid¹, Ardiaty Arief^{1,2}, and Yusri S. Akil¹ 15

¹Department of Electrical Engineering, Faculty of Engineering, Hasanuddin University, Gowa 92171, Indonesia

²Centre for Research and Development on Energy and Electricity, Hasanuddin University, Makassar 90245, Indonesia

Email: zulfiana.majid92@gmail.com; ardiaty@eng.unhas.ac.id; yusakil@unhas.ac.id

Abstract—This study aims to analyze the effect of embedding HVDC (High Voltage Direct Current) on the voltage stability and power losses of the system. Sequential power flow is used to execute the combined AC-DC power flow by adjusting the estimation of DC slack bus injection to speed up convergence and to get more optimal results. Several systematic load increase scenarios are proposed in this study to provide stress loading on the system so that the performance of HVDC can be evaluated. This simulation was implemented on the IEEE 14-Bus System and IEEE 57-Bus System.

Index Terms—AC-DC system, HVDC networks, power loss, steady-state, Voltage Source Converter (VSC)

I. INTRODUCTION

In a power system, the transmission network holds an essential role in connecting interaction from the power plant to the distribution side [1]. Therefore, the operation and planning of the transmission network should be designed in an effective manner [2]. The operation of High Voltage Alternating Current (HVAC) systems have been used since 100 years ago and very mature in transmitting large amounts of electrical energy [3]. However, there are some limitations of conventional HVAC transmission systems which are lower reliability in delivering electrical energy, environmental factors, efficiency, power losses, construction cost and the most crucial thing is related to the voltage stability of the system [4]-[10]. In a power system, voltage stability has been considered as an important requirement for a power system to operate safely and reliably [11], [12] because a large amount of failures is caused by voltage instability [13]. The major problems that occur due to voltage stability are caused by immense losses of power transmitted in long-distance transmission lines [14] which is the weakness of the HVAC system. Therefore, the need for increased transmission capability as well as reduced power operation to a minimum [15]-[17] has led to the use of High Voltage Direct Current (HVDC) to improve the quality and reliability of AC system networks [3]. This is

27 due to the advantage of the HVDC system which covers the shortcomings of the AC systems [3], [5], [6], [8]-[10], [18].

The integration of HVDC into the HVAC network produces a new power flow that is more complex because the components involved are not only the AC component but also the DC component so that the resulting equation is a combined equation of AC and DC power flow [19]. The analysis of this combined power flow has gained renewed importance with the emergence of Voltage Source Converter (VSC), the most recent technology of HVDC, which requires an efficient power flow method to get an effective operation and control [20], [21]. For solving the power flow in this area, there exist two different approaches that are the sequential approach [22], [23], and the unified approach [24], [25]. The sequential approach is more considered in this paper due to the convenient integration of the DC side equation into AC power flow without making any modification to the existing framework.

To improve the convergence, researchers provide diverse approaches in utilizing the sequential power flow. Some different control strategies are applied to the sequential power flow in [23] to form a Jacobian matrix associated with each operation mode. Reference [26] has put forward a convergence factor to diminish the iterations for each inner loop. An in-depth analysis of the divergence of the sequential method under heavy DC power was given in [27]. Nonetheless, these studies are more difficult and complex to be implemented.

Some load scenarios are also taken into consideration in this simulation to evaluate the voltage stability and power loss of the system. Load incremental scenario in STATCOM application which was proposed in [28] shows the capability of the device to improve the voltage stability. However, it is less efficient due to more than one device is needed. Furthermore, load increases simulation in the integration of the HVDC network in [29] results in decreased power loss. Nevertheless, it only provides an increase in active power load, whereas the increase in reactive power which also affects power losses is not considered.

Therefore, this paper provides a systematic load increasing scheme which is examined through a simple

21
Manuscript received January 14, 2021; revised April 20, 2021; accepted May 14, 2021.

Corresponding author: Ardiaty Arief (email: ardiaty@eng.unhas.ac.id).

sequential power flow that uses the active power injection estimation control technique on the DC slack bus to accelerate convergence and get better results. This simulation is easy to be implemented under a novel load increase term involving VSC HVDC and will be evaluated on the standard IEEE-14 bus system and IEEE-57 bus system.

II. PROPOSED METHODOLOGY

A. Power Flow Analysis

Power flow analysis (PFA) [30] is the core of most power system planning studies and also the starting point for studies of transient and dynamic stability [31]. Power flow is needed for planning, design, operation, and economic dispatch in a power system [28], [31]. The key information of PFA [32], [33] is to find the value of the active and reactive power flowing through each transmission along with voltage magnitude and phase angle on each bus. This process becomes more challenging, more difficult, and more complex when HVDC is embedded in the system. It is because of the additional number of factors that affects the complexity of the computation, that are:

- Addition of auxiliary buses to the system.
- Inclusion of HVDC impedance into the impedance matrix.
- Inclusion of power contributed by HVDC into power flow mismatch equation.
- Formation of entirely new Jacobian Matrix formation.

To make it simpler and easier for the application, this research is only focused on the HVDC steady-state conditions.

B. Converter Model of HVDC System

The VSC converter has a role as a controllable voltage source with the Pulse-Width Modulation (PWM) switching method. By this method, the VSC converter can modulate the magnitude and phase angle of the output voltage. Fig. 1 shows the equivalent circuit model of the VSC converter, where Y_c is the complex admittance of the phase reactor; V_f , δ_f , and B_f are the voltage magnitude, phase angle, and susceptance of the filtering bus respectively; Y_{tf} is the complex admittance of the converter transformer; $V_{AC,i}$ and $\delta_{AC,i}$ are the magnitude and phase angle of the AC bus i respectively. As for the DC side, $I_{DC,i}$ is the current flow of the DC bus i .

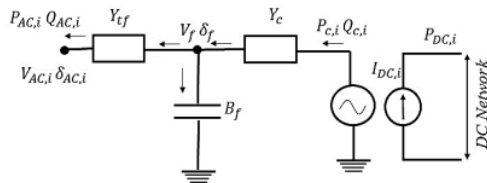


Fig. 1. Equivalent circuit model of VSC station [34].

The overall description of the power flow to the network is described in Fig. 2. Fig. 2 shows the detail of

the AC/DC hybrid system which produces power flow to the network, where P_c and Q_c are the injected active and reactive power by VSC converter at the AC terminal respectively; $P_{VSC,DC}$ is the injected power by VSC converter at the DC terminal, and $P_{VSC,AC}$ and $Q_{VSC,AC}$ are the active and reactive power injected by VSC into the AC network after passing the phase reactor and converter transformer respectively. Meanwhile, at the PCC (Point of Common Coupling) bus, the output of $P_{VSC,AC}$ and $Q_{VSC,AC}$ can be controlled by regulating the AC current through the phase reactor. This can be done by the appropriate modulation of the VSC converter.

The power coming out of the PCC bus will pass through the admittance of the AC line $Y_{AC,im}$ which connecting the AC bus i . Finally, after passing the admittance $Y_{AC,im}$, the active and reactive power will reach the AC bus i which are denoted by $P_{AC,i}$ and $Q_{AC,i}$ respectively. As for the DC network, after passing the admittance of the DC line $Y_{DC,im}$, the active power will reach the DC bus i which is denoted by $P_{DC,i}$.

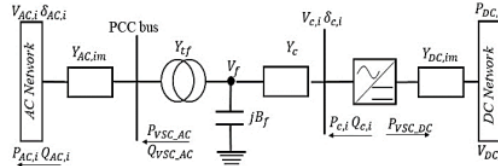


Fig. 2. Converter and AC-DC hybrid system [27]

The general power flow equations for this network are as follows:

1) AC side equations

The active and reactive power injected by VSC into the AC network through the converter transformer are shown by $P_{VSC,AC}$ and $Q_{VSC,AC}$, respectively, and can be described as [23]:

$$P_{VSC,AC} = -V_{AC}^2 G_{tf} + V_{AC} V_f [G_{tf} \cos(\delta_{AC} - \delta_f) + B_{tf} \sin(\delta_{AC} - \delta_f)] \quad (1)$$

$$Q_{VSC,AC} = V_{AC}^2 B_{tf} + V_{AC} V_f [G_{tf} \sin(\delta_{AC} - \delta_f) - B_{tf} \cos(\delta_{AC} - \delta_f)] \quad (2)$$

where $Y_{tf} = G_{tf} + jB_{tf}$ with G_{tf} and B_{tf} are the conductance and susceptance of the converter transformer respectively, the index j shows the imaginary value of the complex variable which in this case the admittance Y_{tf} . As for δ_f is the voltage angle of the filtering bus.

2) Converter side equations

With a known value of the complex voltage of the converter AC terminal side V_c and filter bus V_f the power flow equation on the converter side are [35]:

$$P_c = V_c^2 G_c - V_f V_c [G_c \cos(\delta_f - \delta_c) - B_c \sin(\delta_f - \delta_c)] \quad (3)$$

$$Q_c = -V_c^2 B_c + V_f V_c [G_c \sin(\delta_f - \delta_c) + B_c \cos(\delta_f - \delta_c)] \quad (4)$$

where $Y_c = G_c + jB_c$ with G_c and B_c are the conductance and susceptance of the phase reactor respectively, and δ_c and δ_f are the voltage angle of the converter AC terminal side and filter bus respectively.

DC side equations

DC system modeling can be represented by a resistive network with the injection of DC currents and voltages at the other side of the converter [36], [37]. The current injected and the DC active power flow equation can be written as follows [21], [22]:

$$I_{DCi} = Y_{DCim}(V_{DCi} - V_{DCm}) \quad (5)$$

$$P_{DCi} = pV_{DCi}Y_{DCim}(V_{DCi} - V_{DCm}) \quad (6)$$

where Y_{DCij} equals to $\frac{1}{R_{DCij}}$; R_{DCij} is the resistance of DC line $i - m$; V_{DCi} and V_{DCm} are the voltage of the DC bus i and m respectively, meanwhile, $p=1$ is used for monopolar configuration and $p=2$ for bipolar configuration.

4) Converter losses

The model of converter losses of this study is a simplified type where converter losses vary quadratically with the phase reactor current magnitude. With the known voltage of the PCC bus which has the same value as the initial voltage of the AC bus V_{AC} and the power of converter AC terminal side $S_c = P_c + jQ_c$, so the current of the converter I_c can be written as follows [20]:

$$I_c = \frac{S_c}{V_{AC}} \quad (7)$$

And converter power loss P_{Loss} is [9], [20], [22], [35]

$$P_{Loss} = a + b \cdot abs(I_c) + c \cdot abs(I_c)^2 \quad (8)$$

C. Sequential Power Flow

The sequential power flow is a method of solving the AC and DC combined power flow which are simulated separately, not in one iteration. The advantage of this method is that the DC equation is easy to integrate into the AC power flow equation without changing the existing system framework [21]. For clarity, the sequential power flow method is described in Fig. 3 which has been followed with some minor modification of what is presented in [35]. In this study, we assume that the estimated DC slack active power will affect the convergence and the final result. A power rating that is too high will affect the value of the converter current in (7) which will flow on the PCC side and will later affect the P_{Loss} in (8). This affects with what was stated in the reference [38]. So that in this study the control of the DC slack bus power estimation is adjusted to the correct reactive power and commutation reactance settings to get the best results. The equation for the power flow of all buses except for the slack bus in the AC network can be written as [9], [20], [22], [35]:

$$P_{AC,i}(V_{AC}, \delta_{AC}) = V_{AC,i} \sum_{m=1}^n V_{AC,m} [G_{AC,im} \cos(\delta_{AC,i} - \delta_{AC,m}) + B_{AC,im} \sin(\delta_{AC,i} - \delta_{AC,m})] \quad (9)$$

$$Q_{AC,i}(V_{AC}, \delta_{AC}) = V_{AC,i} \sum_{m=1}^n V_{AC,m} [G_{AC,im} \sin(\delta_{AC,i} - \delta_{AC,m}) + B_{AC,im} \cos(\delta_{AC,i} - \delta_{AC,m})] \quad (10)$$

where $Y_{AC,im} = G_{AC,im} + jB_{AC,im}$ with $G_{AC,im}$ and $B_{AC,im}$ are the conductance and susceptance of the AC line respectively, and n is the total number of AC buses.

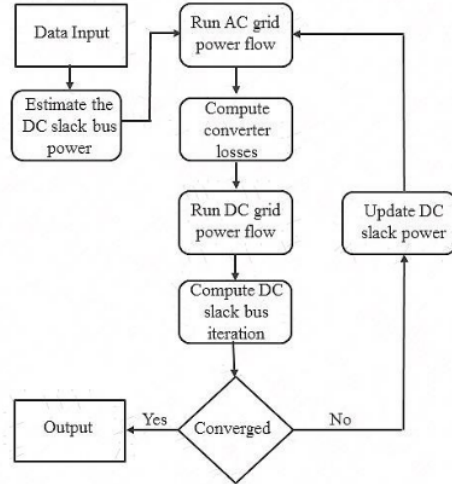


Fig. 3 Sequential power flow of VSC-HVDC [35].

For slack converter power P_{slack} on PCC is [21]:

$$P_{slack} = V_{DC,slack} \sum_{m=1}^p V_{DC,m} Y_{DC,slackm} - P_{Loss,slack} \quad (11)$$

where $V_{DC,slack}$ is the voltage of DC slack bus; $V_{DC,m}$ is the voltage of the DC bus m ; $Y_{DC,slackm}$ is the admittance of the line between DC slack bus and DC bus m , and $P_{Loss,slack}$ is the power loss of the converter slack. By the power injected on this slack, the AC power flow can be simulated to get the voltage on the AC side. Newton-Raphson method is used to solve the nonlinear equation of AC power flow which is written as follows:

$$\Delta M_{AC} = -J_{AC} \Delta X_{AC} \quad (12)$$

where ΔX_{AC} is the incremental vector of the AC voltage and its phase angle, J_{AC} is the Jacobian matrix of AC network and ΔM_{AC} is the power mismatch equation at PCC bus which is defined as:

$$\Delta M_{AC} = 0$$

$$P_{GD_i} - P_{AC,i} - P_{c,i} = 0 \quad (13)$$

$$Q_{GD_i} - Q_{AC,i} - Q_{c,i} = 0 \quad (14)$$

where P_{GD_i} and Q_{GD_i} is the power generated at bus i , $P_{AC,i}$ and $Q_{AC,i}$ can be obtained from (9) and (10), and $P_{c,i}$ and $Q_{c,i}$ are the active and reactive power generated at converter i . With the converter power loss already known from the (8) then the power is injected on the DC grid is:

$$P_{DC,i} = P_{c,i} - P_{Loss_i} \quad (15)$$

Newton Raphson method is used for solving the DC side equation which is defined as:

$$\Delta M_{DC} = -J_{DC} \Delta X_{DC} \quad (16)$$

where ΔX_{DC} is the incremental vector of the DC voltage, J_{DC} is the Jacobian matrix of the DC network. And the mismatch equation of DC network ΔM_{DC} can be described as:

$$\Delta M_{DC} = P_{DCi} - P_{ci} - P_{Lossi} = 0 \quad (17)$$

III. RESULTS AND DISCUSSIONS

In this paper, simulations are conducted to see how the HVDC performance in improving voltage stability. As the characteristics of the HVDC, the converter is capable of absorbing excess reactive power in the system which has an impact on reactive power and voltage on the AC system [15]. So that the simulation carried out in this study is to provide a systematically load-increasing pattern to stress the system to observe HVDC performance. The details of the proposed scenarios which is inspired by [28] are:

- Scenario 1: Active load change
- Scenario 2: Reactive load change
- Scenario 3: Active reactive load change

These scenarios were implemented in the IEEE-14 Bus System and IEEE-57 Bus System.

1) Case IEEE-14 bus system

The case study of this research is shown in Fig. 4. To evaluate the power flows in a power system with HVDC with a systematic load-increasing scheme, the IEEE-14 Bus System has been modified by embedding the HVDC components. The placement of the HVDC is determined by running the power flow at the initial condition. From the results of the initial simulation, the highest network losses for the high voltage network are on Line 4 which connecting Bus 2 and Bus 3, so HVDC is placed on that line to minimize network losses.

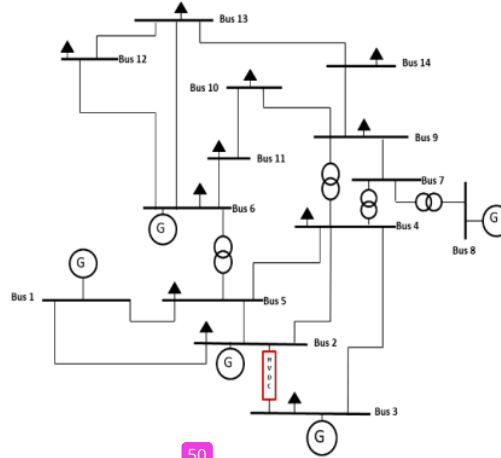


Fig. 4. IEEE-14 Bus System [39].

In this case, the increase of power load is based on a range from 1.9 p.u. to 9.5 p.u. of the baseload. The power load increment is selected from the highest load stress that can be carried by each bus. Before applying a change in load stress, a power flow simulation is first performed without installing HVDC so that results can be evaluated. Simulation results can be seen in Fig. 5.

However, based on Table I, surprisingly the voltage on Bus 3 has a very high voltage increase among all buses. This phenomenon is due to the installation of HVDC on Line 4. So the converter is set on Bus 3 and the inverter is set on Bus 2. As a result, as shown in Fig. 6, Bus 3 has the highest reactive power of all buses. This happens because of the presence of a rectifier that can adjust reactive power on Bus 3.

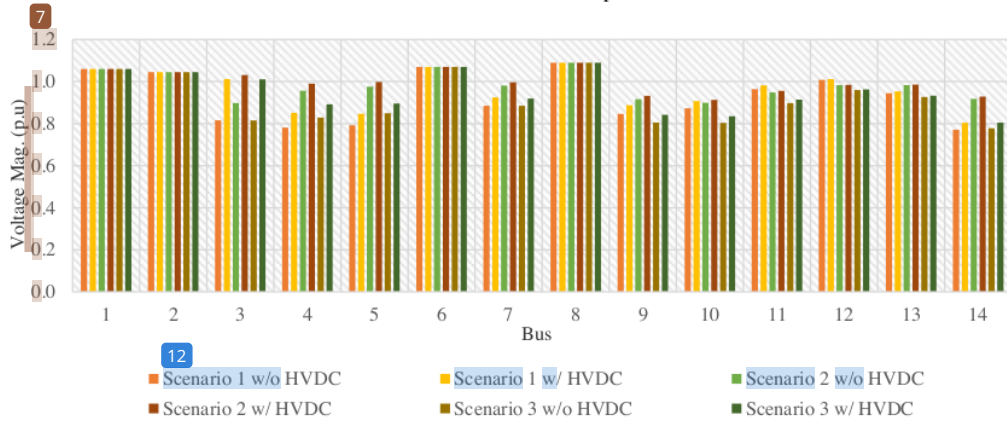


Fig. 5. Voltage magnitude profile (IEEE 14-Bus).

TABLE I: VOLTAGE MAGNITUDE AND INCREASE VOLTAGE PERCENTAGE

Bus	Voltage								
	Scenario 1			Scenario 2			Scenario 3		
	w/o HVDC (p.u.)	w/ HVDC (p.u.)	% Vol. Inc.	w/o HVDC (p.u.)	w/ HVDC (p.u.)	% Vol. Inc.	w/o HVDC (p.u.)	w/ HVDC (p.u.)	% Vol. Inc.
1	1.0	1.0	0	1.0	1.0	0	1.0	1.0	0
2	1.0	1.0	0	1.0	1.0	0	1.0	1.0	0
3	1.0	1.0	0	1.0	1.0	0	1.0	1.0	0
4	1.0	1.0	0	1.0	1.0	0	1.0	1.0	0
5	1.0	1.0	0	1.0	1.0	0	1.0	1.0	0
6	1.0	1.0	0	1.0	1.0	0	1.0	1.0	0
7	1.0	1.0	0	1.0	1.0	0	1.0	1.0	0
8	1.0	1.0	0	1.0	1.0	0	1.0	1.0	0
9	1.0	1.0	0	1.0	1.0	0	1.0	1.0	0
10	1.0	1.0	0	1.0	1.0	0	1.0	1.0	0
11	1.0	1.0	0	1.0	1.0	0	1.0	1.0	0
12	1.0	1.0	0	1.0	1.0	0	1.0	1.0	0
13	1.0	1.0	0	1.0	1.0	0	1.0	1.0	0
14	1.0	1.0	0	1.0	1.0	0	1.0	1.0	0

1	1.060	1.060	0.000	1.060	1.060	0.000	1.060	1.060	0.000
2	1.045	1.045	0.000	1.045	1.045	0.000	1.045	1.045	0.000
3	0.816	1.012	24.01	0.898	1.031	14.80	0.815	1.011	23.95
4	0.781	0.852	9.048	0.957	0.991	3.536	0.829	0.892	7.539
5	0.792	0.847	6.904	0.976	0.998	2.261	0.850	0.896	5.446
6	1.070	1.070	0.000	1.070	1.070	0.000	1.070	1.070	0.000
7	0.885	0.925	4.484	0.981	0.997	1.635	0.885	0.919	3.837
8	1.090	1.090	0.000	1.090	1.090	0.000	1.090	1.090	0.000
9	0.846	0.887	4.858	0.916	0.932	1.776	0.806	0.842	4.499
10	0.873	0.908	3.942	0.899	0.913	1.559	0.804	0.835	3.923
11	0.964	0.982	1.845	0.949	0.956	0.786	0.898	0.915	1.879
12	1.008	1.012	0.400	0.984	0.985	0.135	0.960	0.963	0.353
13	0.945	0.953	0.881	0.983	0.986	0.262	0.927	0.933	0.726
14	0.771	0.804	4.296	0.918	0.928	1.159	0.778	0.805	3.412

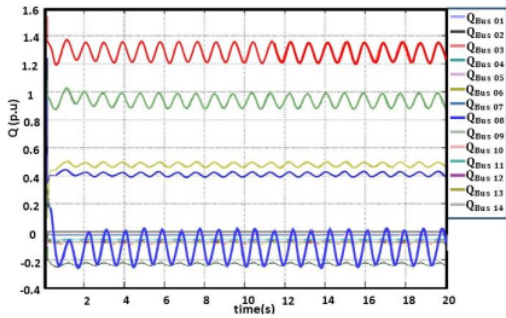


Fig. 6. Reactive power at all buses (Q).

Based on the description above, the capability of HVDC to control reactive power not only adjust the voltage of the bus but also the power flow on the line transmission. Therefore, with the appropriate control of line flow, power losses can be reduced. This loss reduction can be proven from the simulation conducted in [61]. 7. The graph shows the total network power losses for both active and reactive power are consistently reduced for each scenario.

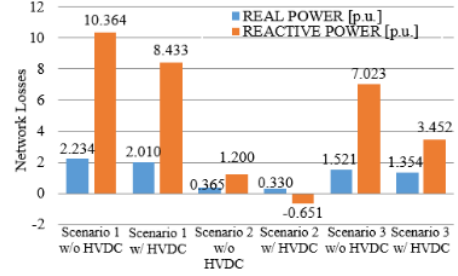


Fig. 7. Network losses.

4
1) Case IEEE-57 bus system

In this case, the IEEE 57 Bus is employed as a simulation object to validate the proposed method. Fig. 8 shows the standard IEEE 57-bus system which consists of

7 generators, 42 loads, 57 buses, 17 transformers, and 63 lines. The value and data of the IEEE 57-bus standard can be obtained in [40] and [41]. In this simulation, Scenario 1 provides an increase in active power by 20% of the baseload.

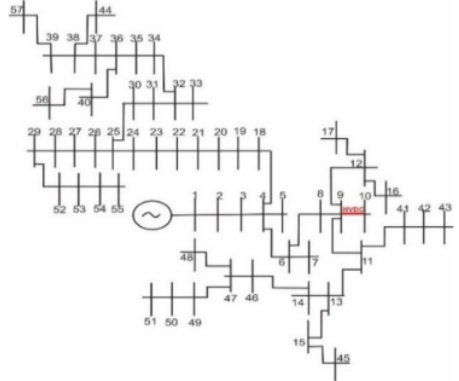


Fig. 8. IEEE-57 bus system [40].

Scenario 2 provides additional reactive power of 35% of the baseload. And Scenario 3 is a combination of Scenario 1 and Scenario 2. The simulation results can be seen more clearly in Fig. 9.

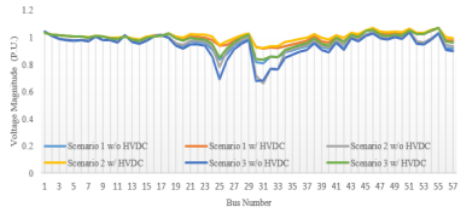


Fig. 9. Voltage magnitude profile for IEEE 57 bus in p.u.

From the results of the graph, there is an under-voltage, whose value is very far from the nominal value, which is around 0.66 p.u. on Bus 25 for Scenario 3 and Bus 30 for Scenario 2. This phenomenon also occurs in research [28]

that applies the same scenario, but the buses that experience under-voltage are Buses 32-34. The voltage improvement that was carried out in the reference was the addition of STATCOM on Bus 31 and Bus 33. Although it was able to improve the voltage magnitude to 1.01 p.u. but this is considered inefficient because it has to add several devices to the network. In contrast to this research, by adjusting the proper control of power inject estimation, HVDC is able to improve the voltage for all buses and specifically for the voltage on Bus 25 and Bus 30. The voltage magnitude can be improved to 0.92 p.

The reduction in power loss, in this case, can be seen in Fig. 10. The simulation results show a decrease in power loss in terms of both active and reactive power.

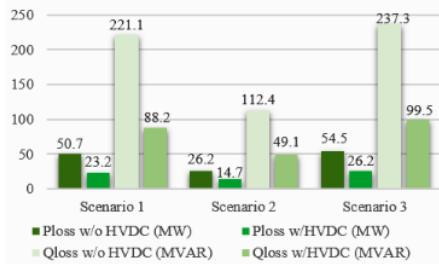


Fig. 10. Active and reactive power losses comparison of IEEE 57 bus system without and with HVDC.

TABLE II: POWER LOSS COMPARISON

Method	Location	Ploss (MW)		Qloss (MVAR)	
		Without HVDC	With HVDC	Without HVDC	With HVDC
Reference [29]	9-13	60.7	23.7	253.8	99.6
Proposed Method	9-10	50.766	23.234	221.12	88.18

The placement of HVDC in [29] using the GA heuristic method chose the line between 9-13 as the best location. However, in this simulation, we found that better results are obtained by embedding the HVDC between Bus 9 and Bus 10. This can be proven by what can be seen in Table II. The power losses for both active and reactive were successfully reduced.

In this reference, the scenario used is an increase in active power by 20%, so that only Scenario 1 is compared to this study. It can be seen that the control techniques mentioned in Section II show better results even when compared to the use of heuristic methods.

IV. CONCLUSION

Simple and systematic power flow has been simulated in this paper with HVDC as the object of research. The simulation is run based on the scheme of increasing load (Scenario 1, Scenario 2, and Scenario 3) to give stress to the system. And the results show that the installation of HVDC and controlling the estimation of DC slack power injection can reduce network losses and maintain the voltage on the AC system better and more efficiently.

CONFLICT OF INTEREST

The authors declare no conflict of interest.

AUTHOR CONTRIBUTIONS

Zulfiana conducted the search, analyzed data, and wrote the paper; Ardiaty acted as supervisor and advisor of the research and edited the paper; Yusril acted as supervisor and advisor of the research; all authors had approved the final version.

REFERENCES

- [1] P. Maghouli, S. H. Hosseini, M. O. Buygi, and M. Shahidehpour, "A multi-objective framework for transmission expansion planning in deregulated environments," *IEEE Trans. on Power Systems*, vol. 24, no. 2, pp. 1051-61, 2009.
- [2] M. B. Nappu, A. Arief, and R. C. Bansal, "Transmission management for congested power system: A review of concepts, technical challenges and development of a new methodology," *Renewable and Sustainable Energy Reviews*, vol. 38, pp. 572-80, October 2014.
- [3] Y. Wei, Q. He, Y. Sun, Y. Sun, and C. Ji, "Improved power flow algorithm for VSC-HVDC system based on high-order newton-type method," *Mathematical Problems in Engineering*, vol. 2013, pp. 10, 2013.
- [4] A. Aranzadeh, M. Kazemi, H. Barahmandpour, M. Mirmozaffari, "MULTIMOORA decision making algorithm for expansion of HVDC and EHVAC in developing countries (A case study)," *Iranian Journal of Optimization*, vol. 12, no. 1, pp. 63-71, 2020.
- [5] J. Arrillaga, Y. H. Liu, and N. R. Watson, *Flexible Power Transmission: the HVDC Options*, John Wiley & Sons; 2007.
- [6] J. Cao, W. Du, H. F. Wang, and S. Bu, "Minimization of transmission loss in meshed AC/DC grids with VSC-MTDC networks," *IEEE Trans. on Power Systems*, vol. 28, no. 3, pp. 3047-55, 2013.
- [7] M. Ebrahim, M. Ahmed, H. Ramadan, M. Becherif, and J. Zhao, "Optimal metaheuristic-based sliding mode control of VSC-HVDC transmission systems," *Mathematics and Computers in Simulation*, vol. 179, pp.178-93, January 2021.
- [8] S. Khan and S. Bhowmick, "A novel power-flow model of multi-terminal VSC-HVDC systems," *Electric Power Systems Research*, vol. 133, pp. 219-27, April 2016.
- [9] J. Renedo, A. A. Ibrahim, B. Kazemtabrizi, A. García-Cerrada, L. Rouco, Q. Zhao, *et al.*, "A simplified algorithm to solve optimal power flows in hybrid VSC-based AC/DC systems," *International Journal of Electrical Power & Energy Systems*, vol. 110, pp. 781-94, September 2019.
- [10] J. Rime and R. Belmans, "A combined AC/DC optimal power flow algorithm for meshed AC and DC networks linked by VSC converters," *International Trans. on Electrical Energy Systems*, vol. 25, no. 10, pp. 2024-35, 2015.
- [11] A. Arief, M. B. Nappu, and Antamil, "Analytical method for reactive power compensators allocation," *International Journal of Technology*, vol. 9, no. 3, pp. 602-12, 2018.
- [12] M. Amroune, T. Bouktir, and I. Musirin, "Power system voltage instability risk mitigation via emergency demand response-based whale optimization algorithm," *Protection and Control of Modern Power Systems*, vol. 4, no. 1, pp. 1-14, 2019.
- [13] A. Arief and M. B. Nappu, "Voltage drop simulation at Southern Sulawesi power system considering composite load model," in *Proc. 3rd International Conference on Information Technology, Computer, and Electrical Engineering*, 2016, pp. 169-172.
- [14] M. Klaric, I. Kuzle, and S. Tesnjak, "Example of undervoltage load shedding implementation," in *Proc. AFRICON 2007*, 2007, pp. 1-6.

- [15] C. Ji, Z. N. Wei, G. Q. Sun, and Y. H. Sun, "AC-DC decoupling algorithm of optimal power flow with HVDC system," in *Proc. Applied Mechanics and Materials*, 2014, pp. 1107-12.
- [16] P. Li and J. Hu, "An ADMM based distributed finite-time algorithm for economic dispatch problems," *IEEE Access*, vol. 6, pp. 30969-76, May 2018.
- [17] M. B. Nappu, A. Arief, and A. S. Duhri, "Economic emission dispatch for thermal power plant in Indonesia," *International Journal of Smart Grid and Clean Energy*, vol. 8, no. 4, pp. 500-04, 2019.
- [18] M. Aragüés-Peñalba, A. Egea-Álvarez, S. G. Arellano, and O. Gomis-Bellmunt, "Droop control for loss minimization in HVDC multi-terminal transmission systems for large offshore wind farms," *Electric Power Systems Research*, vol. 112, pp. 48-55, July 2014.
- [19] R. Wiget and G. Andersson, "Optimal power flow for combined AC and multi-terminal HVDC grids based on VSC converters," in *Proc. IEEE Power and Energy Society General Meeting*, 2012, pp. 1-8.
- [20] K. N. Narayanan and P. Mitra, "A comparative study of a sequential and simultaneous AC-DC power flow algorithms for a multi-terminal VSC-HVDC system," in *Proc. IEEE Innovative Smart Grid Technologies-Asia (ISGT Asia)*, 2013, pp. 1-6.
- [21] Y. Gao, S. Li, W. Dong, and B. Lu, "Decoupled AC/DC power flow strategy for multiterminal HVDC systems," *International Journal of Emerging Electric Power Systems*, vol. 19, no. 1, pp. 1-8, January 2018.
- [22] J. Beerten, S. Cole, and R. Belmans, "Generalized steady-state VSC MTDC model for sequential AC/DC power flow algorithms," *IEEE Trans. on Power Systems*, vol. 27, no. 2, pp. 821-9, 2012.
- [23] E. Karami, G. B. Gharehpetian, H. Mohammadpour, A. Khalilinia, and A. Bali, "Generalised representation of multi-terminal VSC-HVDC systems for AC-DC power flow studies," *IET Energy Systems Integration*, vol. 2, no. 1, pp. 50-58, 2020.
- [24] M. Baradar, M. Ghandhari, and D. Van Hertem, "The modeling multi-terminal VSC-HVDC in power flow calculation using unified methodology," in *Proc. 2nd IEEE PES International Conference and Exhibition on Innovative Smart Grid Technologies*, 2011, pp. 1-6.
- [25] Q. Nguyen, G. Todeschini, and S. Santoso, "Power flow in a multi-frequency hvac and hvdc system: Formulation, solution, and validation," *IEEE Trans. on Power Systems*, vol. 34, no. 4, pp. 2487-97, 2019.
- [26] J.-C. Fernández-Pérez, F. M. E. Cerezo, and L. R. Rodríguez, "On the convergence of the sequential power flow for multiterminal VSC AC/DC systems," *IEEE Trans. on Power Systems*, vol. 33, no. 2, pp. 1768-76, 2017.
- [27] W. Feng, C. Yuan, Q. Shi, R. Dai, G. Liu, Z. Wang, et al., "Using virtual buses and optimal multipliers to converge the sequential AC/DC power flow under high load cases," *Electric Power Systems Research*, vol. 177, December 2019.
- [28] A. S. Telang and P. Bedekar, "Application of PSAT to load flow analysis with STATCOM under load increase scenario and line contingencies," *Journal of the Institution of Engineers (India): Series B*, vol. 99, no. 1, pp. 17-23, 2018.
- [29] Z. Abbas and F. Tuaimah, "Optimal location of high voltage direct current (HVDC) transmission line using genetic algorithm," in *Proc. IOP Conf. Series: Materials Science and Engineering*, 2021.
- [30] M. Fikri, B. Cheddadi, O. Sabri, T. Haidi, B. Abdelaziz, and M. Majdoub, "Power flow analysis by numerical techniques and artificial neural networks," in *Proc. Renewable Energies, Power Systems & Green Inclusive Economy*, 2018, pp. 1-5.
- [31] B. A. Kumar, "Voltage profile improvement for 16 bus distribution systems with DFIG wind turbine using PSAT by FVSI index," *International Journal of Advanced Engineering Research and Science*, pp. 87-95, 2017.
- [32] X. Hu, H. Hu, S. Verma, and Z. L. Zhang, "Physics-guided deep neural networks for power flow analysis," *IEEE Trans. on Power Systems*, vol. 36, pp. 2082-92, May 2021.
- [33] Z. Yang, K. Xie, J. Yu, H. Zhong, N. Zhang, and Q. Xia, "A general formulation of linear power flow models: Basic theory and error analysis," *IEEE Trans. on Power Systems*, vol. 34, no. 2, pp. 1315-1324, 2019.
- [34] M. O. Khan, S. Z. Jamali, C. H. Noh, G. H. Gwon, and C. H. Kim, "A load flow analysis for AC/DC hybrid distribution network incorporated with distributed energy resources for different grid scenarios," *Energies*, vol. 11, no. 2, pp. 367, 2018.
- [35] J. Beerten, S. Cole, and R. Belmans, "Implementation aspects of a sequential AC/DC power flow computation algorithm for multi-terminal VSC HVDC systems," in *Proc. 9th IET International Conference on AC and DC Transmission (ACDC2010)*, 2010.
- [36] J. Beerten. MATACDC User's Manual. [Online]. Available at <http://www.esat.kuleuven.be/electa/teaching/matacdc/MataCDCManual>, 2012.
- [37] R. Kouadri, L. Slimani, T. Bouktir, and I. Musirin, "Optimal power flow solution for wind integrated power in presence of VSC-HVDC using ant lion optimization," *Indonesian Journal of Electrical Engineering and Computer Science*, vol. 12, no. 2, pp. 625-633, 2018.
- [38] J. Xu, T. Lan, S. Liao, Y. Sun, D. Ke, X. Li, et al., "An on-line power/voltage stability index for multi-infeed HVDC systems," *Journal of Modern Power Systems and Clean Energy*, vol. 7, no. 5, pp. 1094-1104, 2019.
- [39] F. Milano, L. Vanfretti, and J. C. Morataya, "An open source power system virtual laboratory: The PSAT case and experience," *IEEE Trans. on Education*, vol. 51, no. 1, pp. 17-23, 2008.
- [40] M. M. Ansari, C. Guo, M. S. Shaikh, N. Chopra, I. Haq, and L. Shen, "Planning for distribution system with grey wolf optimization method," *Journal of Electrical Engineering & Technology*, vol. 15, no. 4, pp. 1485-99, 2020.
- [41] R. Anand and D. V. Balaji, "Power flow analysis of simulink IEEE 57 bus test system model using PSAT," *Indian Journal of Science and Technology*, vol. 8, Sept. 2015.

Copyright © 2021 by the authors. This is an open access article distributed under the Creative Commons Attribution License (CC BY-NC-ND 4.0), which permits use, distribution and reproduction in any medium, provided that the article is properly cited, the use is non-commercial and no modifications or adaptations are made.



Zulfiana S. Majid was born on 24 July 1992 in Parepare, Indonesia. She obtained his B.Eng degree in Electrical Engineering from Institute Technology of PLN, Indonesia in 2014. Currently, she is pursuing her master degree at Hasanuddin University, Indonesia. She was an employee of PT. PSI, an Electrical and Automation Services, as a reporting engineer in 2015 and as a lead engineer in 2016. Her research interest include application of HVDC networks, transmission efficiency and power system optimization.



Ardiaty Arief received B.Eng. degree in electrical engineering as first class honor from Hasanuddin University, M.T.M. degree from the University of New South Wales in 2004, and Ph.D. degree in power systems stability from the University of Queensland. She is currently active as a researcher at the Centre for Research Development on Energy and Electricity, Hasanuddin University and lecturer in Electrical Engineering Department. Dr. Arief now involves in an international research collaboration with Australian institutions through the reliable, affordable, clean energy (RACE) for 2030 program and served as consultant at the Renewable Energy Technologies for Eastern Indonesia Short Course held by Australia Award Indonesia in 2019-2020, and the Renewable Energy Workshop held by ICED-USAID in 2016. Research interests include power system planning, stability and reliability, load modeling and computational intelligence with its application in power system engineering.



Yusri S. Akil obtained his Ph.D. degree in Computer Science and Electrical Engineering from Kumamoto University, Japan in 2013. He is a senior lecturer and researcher at Department of Electrical Engineering, Hasanuddin University. Currently, he is head of Distributed Generation, Energy and Environment research group (DGEE-RG) at Hasanuddin University. His interests include energy management, power demand analysis and forecasting, and power system optimization.

ORIGINALITY REPORT

18%

SIMILARITY INDEX

11%

INTERNET SOURCES

15%

PUBLICATIONS

2%

STUDENT PAPERS

PRIMARY SOURCES

1

ijeec.iust.ac.ir

Internet Source

1%

2

Ali Dinc, Murat Otkur. "Optimization of Electric Vehicle Battery Size and Reduction Ratio Using Genetic Algorithm", 2020 11th International Conference on Mechanical and Aerospace Engineering (ICMAE), 2020

Publication

1%

3

Wang Feng, , Le Anh Tuan, Lina Bertling Tjernberg, Anders Mannikoff, and Anders Bergman. "Cost-benefit analysis of a Multi-Terminal VSCHVDC system using a proposed Mixed ac/dc Optimal Power Flow", 2013 10th International Conference on the European Energy Market (EEM), 2013.

Publication

1%

4

ebin.pub

Internet Source

1%

5

academic.hep.com.cn

Internet Source

1%

6

uwspace.uwaterloo.ca

Internet Source

<1 %

7

www.scribd.com

Internet Source

<1 %

8

Guoteng Wang, Zheng Xu, Zheren Zhang.
"Voltage stability analysis of power systems
with a large number of non-synchronous
machine sources connected", International
Journal of Electrical Power & Energy Systems,
2021

Publication

<1 %

9

www.ijcte.com

Internet Source

<1 %

10

Yuanshi Zhang, Liwei Wang, Wei Li.
"Autonomous DC Line Power Flow Regulation
Using Adaptive Droop Control in HVDC Grid",
IEEE Transactions on Power Delivery, 2021

Publication

<1 %

11

ijtech.eng.ui.ac.id

Internet Source

<1 %

12

Ahlert, Klaus-Henning. "Economics of
Distributed Storage Systems : an economic
analysis of arbitrage-maximizing storage
systems at the end consumer level.", KIT
Scientific Publishing, Karlsruhe, 2010.

Publication

<1 %

13

Ramzi Kouadri, Linda Slimani, Tarek Bouktir, Ismail Musirin. "Optimal Power Flow Solution for Wind Integrated Power in presence of VSC-HVDC Using Ant Lion Optimization", Indonesian Journal of Electrical Engineering and Computer Science, 2018

Publication

<1 %

14

www.preprints.org

Internet Source

<1 %

15

www.praiseworthyprize.org

Internet Source

<1 %

16

Submitted to University of Newcastle upon Tyne

Student Paper

<1 %

17

Bachtiar Nappu, Muhammad, Ardiaty Arief, and Ramesh C. Bansal. "Transmission management for congested power system: A review of concepts, technical challenges and development of a new methodology", Renewable and Sustainable Energy Reviews, 2014.

Publication

<1 %

18

Submitted to KTH - The Royal Institute of Technology

Student Paper

<1 %

19

Submitted to University of Nottingham

Student Paper

<1 %

- 20 Serhat Duman, Jie Li, Lei Wu, Nuran Yorukeren. "Symbiotic organisms search algorithm-based security-constrained AC-DC OPF regarding uncertainty of wind, PV and PEV systems", *Soft Computing*, 2021
Publication <1 %
-
- 21 www.tipse.ru
Internet Source <1 %
-
- 22 J. De Meyer, G.E. Maes, R.P. Dirks, D. Adriaens. " Differential gene expression in narrow- and broad-headed European glass eels () points to a transcriptomic link of head shape dimorphism with growth rate and chemotaxis ", *Molecular Ecology*, 2017
Publication <1 %
-
- 23 S. Vijayalakshmi, D. Kavitha. "Optimal Placement of Phasor Measurement Units for Smart Grid Applications", 2018 National Power Engineering Conference (NPEC), 2018
Publication <1 %
-
- 24 advances.utc.sk
Internet Source <1 %
-
- 25 web-tools.uts.edu.au
Internet Source <1 %
-
- 26 www.mdpi.com
Internet Source <1 %
-

27

Bojorquez-Melendrez, E., L. E. Ugalde-Caballero, and E. L. Moreno-Goytia.

"Sequential algorithm-based model for the study of AC/DC power flow in VSC-MTDC systems", 2015 IEEE International Autumn Meeting on Power Electronics and Computing (ROPEC), 2015.

Publication

<1 %

28

Muhammad Bachtiar Nappu, Muhammad Imran Bachtiar, Ardiaty Arief. "Network losses reduction due to new hydro power plant integration", 2016 3rd International Conference on Information Technology, Computer, and Electrical Engineering (ICITACEE), 2016

Publication

<1 %

29

Runze Chai, Baohui Zhang, Jingming Dou, Zhiguo Hao, Tao Zheng. "Unified Power Flow Algorithm Based on the NR Method for Hybrid AC/DC Grids Incorporating VSCs", IEEE Transactions on Power Systems, 2016

Publication

<1 %

30

Shagufta Khan, Suman Bhowmick. "A Generalized Power-Flow Model of VSC-Based Hybrid AC-DC Systems Integrated With Offshore Wind Farms", IEEE Transactions on Sustainable Energy, 2019

Publication

<1 %

31 Sheng Liu, Zheng Xu, Wen Hua, Geng Tang, Yinglin Xue. "Electromechanical Transient Modeling of Modular Multilevel Converter Based Multi-Terminal HVDC Systems", IEEE Transactions on Power Systems, 2014
Publication

32 Yuanshi Zhang, Xuekun Meng, Abrar Malik, Liwei Wang. "The use of analytical converter loss formula to eliminate DC slack/droop bus iteration in sequential AC-DC power flow algorithm", International Journal of Electrical Power & Energy Systems, 2022
Publication

33 d-nb.info
Internet Source

34 dro.dur.ac.uk
Internet Source

35 etheses.whiterose.ac.uk
Internet Source

36 spiral.imperial.ac.uk
Internet Source

37 uwaterloo.ca
Internet Source

38 worldwidescience.org
Internet Source

39

Internet Source

<1 %

40

www.hindawi.com

Internet Source

<1 %

41

www.i-scholar.in

Internet Source

<1 %

42

www.ijlt.org

Internet Source

<1 %

43

www.wseas.org

Internet Source

<1 %

44

Ardiaty Arief, Muhammad Bachtiar Nappu, Sitti Marwah Rachman. "Photovoltaic Allocation with Tangent Vector Sensitivity", International Journal on Energy Conversion (IRECON), 2020

Publication

<1 %

45

Biswarup Das. "An analytic method for sequential state estimation of integrated AC/LCC-HVDC system", Electric Power Systems Research, 2022

Publication

<1 %

46

Kumars Rouzbehi, Jose Ignacio Candela, Alvaro Luna, Gevork B. Gharehpetian, Pedro Rodriguez. "Flexible Control of Power Flow in Multiterminal DC Grids Using DC-DC

<1 %

Converter", IEEE Journal of Emerging and Selected Topics in Power Electronics, 2016

Publication

47

Mohammad Mehdi Rezvani, Shahab Mehraeen. "Unified AC-DC Load Flow Via an Alternate AC-Equivalent Circuit", IEEE Transactions on Industry Applications, 2021

Publication

<1 %

48

Shri Ram Vaishya, Vaskar Sarkar. "A simplified OPF framework for an integrated AC and multi-terminal HVDC system", TENCON 2017 - 2017 IEEE Region 10 Conference, 2017

Publication

<1 %

49

Wenyuan Wang, Mike Barnes. "Power Flow Algorithms for Multi-Terminal VSC-HVDC With Droop Control", IEEE Transactions on Power Systems, 2014

Publication

<1 %

50

Z. Xu *, Z. Y. Dong, K. P. Wong. "Genetic algorithm-based spinning reserve dispatching in a competitive electricity market", International Journal of Systems Science, 2004

Publication

<1 %

51

ijeecs.iaescore.com

Internet Source

<1 %

52

trace.tennessee.edu

Internet Source

<1 %

53

www.researchgate.net

Internet Source

<1 %

54

www.tdx.cat

Internet Source

<1 %

55

Publication

<1 %

56

"Wide Area Power Systems Stability, Protection, and Security", Springer Science and Business Media LLC, 2021

Publication

<1 %

57

Cao, Jia, Zheng Yan, Jianhua Li, and Lu Cao. "Impact of HVDC line on the convergence property of AC/DC power flow calculation", International Journal of Electrical Power & Energy Systems, 2016.

Publication

<1 %

58

P. P. Bedekar, A. S. Telang. "Load flow based voltage stability indices to analyze voltage stability and voltage security of the power system", 2015 5th Nirma University International Conference on Engineering (NUICONE), 2015

Publication

<1 %

59

Jia Cao, , Zheng Yan, and Xiaoyuan Xu. "A modified Levenberg-Marquardt approach to explore the limit operation state of AC/DC

<1 %

hybrid system", 2015 IEEE Power & Energy Society General Meeting, 2015.

Publication

60

Md. Mehedi Hasan Tanim, Md. Feroz Ali, Md. Asaduzzaman Shobug, A. A. Mamun. "Chapter 36 Analysis of the Impacts on Power Flow After Introducing Renewable Energy Source in a Power System with HVDC Line", Springer Science and Business Media LLC, 2021

Publication

<1 %

61

Saurabh Chanana. "Comparison of Sen Transformer and Unified Power Flow Controller on Spot Price Variation of Real and Reactive Power under Maximum Loadability Condition", Electric Power Components and Systems, 12/2008

Publication

<1 %

Exclude quotes On

Exclude matches < 5 words

Exclude bibliography On